

General Description

QX5241 is a step-down high-brightness LED constant-current driver with high accuracy.

A high-side current-sense resistor adjusts the output current, which minimizes the number of external components while delivering an LED current with $\pm 1\%$ accuracy, and a dedicated PWM input (DIM) makes a wide range of pulsed dimming feasible.

A hysteretic control algorithm ensures excellent input-supply rejection and fast response to load transients and PWM dimming. QX5241 features a 20% inductor current ripple and operates up to 1MHz switching frequency.

QX5241 is well suited for applications requiring a wide input voltage range from 5.5V to 36V, and operates over the -20°C to 85°C automatic temperature range.

Features

- Maximum Output Current: 2.5A
- High Efficiency: 96%
- High-side Current Sense
- Maximum Dimming Frequency: 5KHz
- Hysteretic Control: No Compensation
- Maximum Operating frequency: 1MHz
- High Current Accuracy: Up to $\pm 1\%$
- Wide input voltage range: 5.5V to 36V
- Maximum Output Power: 25W
- 5V, 5mA On-chip Regulator

Applications

- Architectural, Industrial, and Ambient Lighting
- MR16 and Other LED Bulbs
- Automotive Lighting

Typical Application

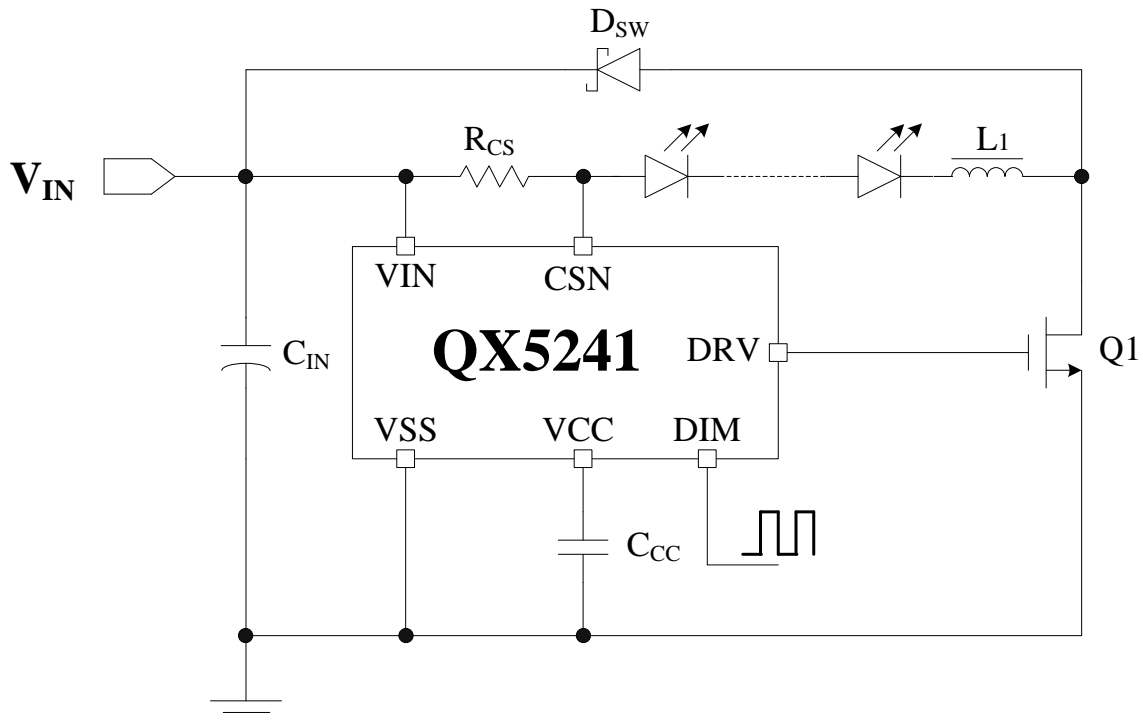


Figure 1: Typical Application Circuit Diagrams of QX5241

Ordering Information

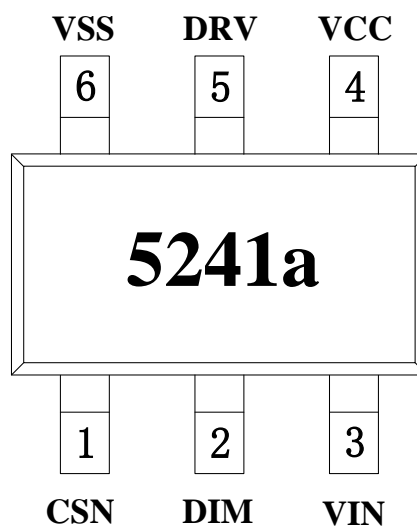
Type Number

QX5241

Package Marking

5241a

Pin Assignments



SOT23-6

Pin Description

Pin	Pin Name	Pin Type	Description
1	CSN	Input	Current Sense Input
2	DIM	Input	Dimming Control Input
3	VIN	Power Supply	Power Supply Voltage
4	VCC	Output	LDO Output: 5V, 5mA
5	DRV	Output	Power MOSFET Gate Drive
6	VSS	Ground	Ground

Functional Block Diagram

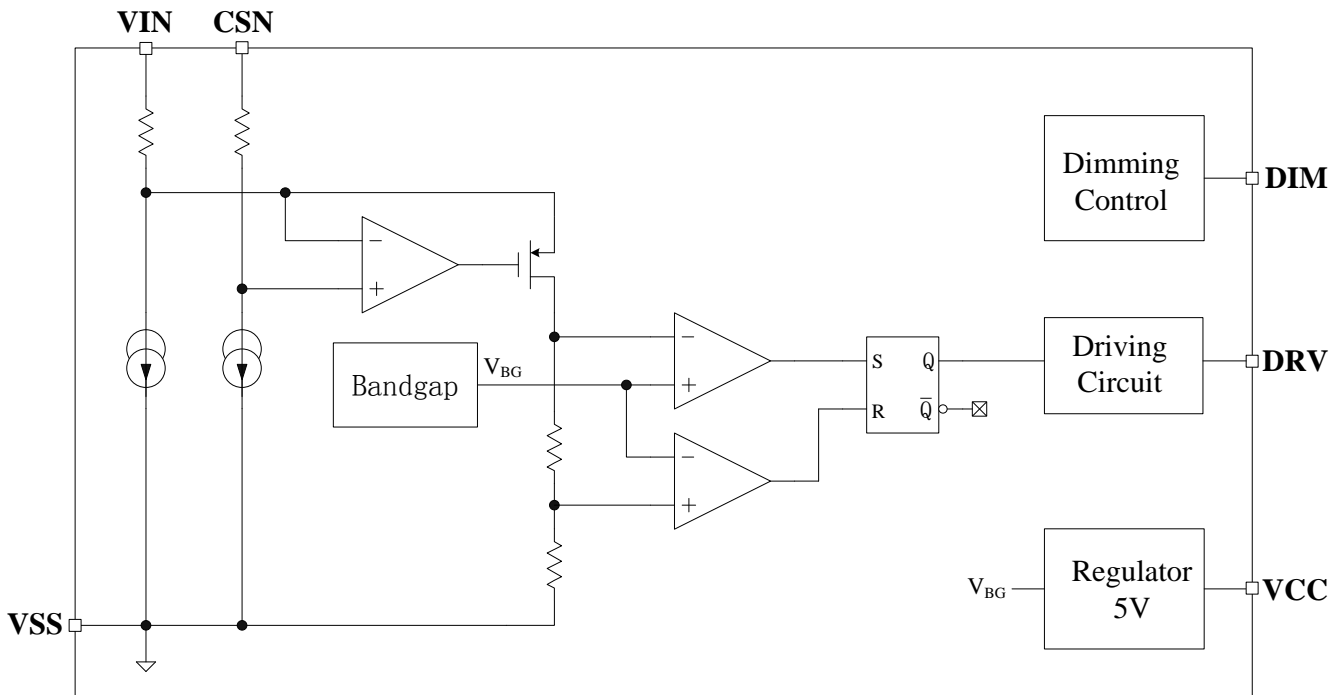


Figure 2: Functional Block Diagram of QX5241

Absolute Maximum Ratings (Note 1)

Parameter	Symbol	Description	Min	Max	Unit
Voltage	V_{MAX1}	Maximum Voltage On Pins Excluded DIM and VCC		40	V
	V_{MAX2}	Maximum Voltage On DIM and VCC Pins		7	V
Current	I_{MAX}	Maximum Current On CSN and DIM Pins		20	mA
Power Dissipation	$P_{SOT23-6}$	Maximum Power Dissipation for SOT23-6 Package		0.3	W
Thermal	T_A	Operating Temperature Range	-20	85	°C
	T_{STG}	Storage Temperature Range	-40	120	°C
	T_{SD}	Soldering Temperature Rang (less than 30 sec)	230	240	°C
ESD	V_{HBM}	HBM		2000	V

Note 1: Absolute Maximum Ratings indicate limits beyond which damage to the device may occur. Exposure to Absolute Maximum Rating conditions for extended periods may affect device reliability.

Electronic Characteristics

$V_{IN}=15V$, $C_{CC}=1\mu F$, $C_{DRV}=1nF$, $T_A=25^\circ C$, unless otherwise specified

Parameter	Symbol	Test Conditions	Min	Typ	Max	Unit
Supply Voltage						
Maximum Input Voltage	V_{IN_MAX}				36	V
Under-voltage Lockout	V_{UVLO}	$V_{IN}=V_{CSN}$, $V_{DIM}=V_{CC}$, V_{IN} rises from 0V		5	5.5	V
Under-voltage Lockout Hysteresis	V_{HYS}			0.5		V
Supply Current	I_{IN}				5	mA
Standby Current	I_{ST}				400	uA
Switching frequency						
Maximum Switching frequency	F_{SW_MAX}				1	MHz

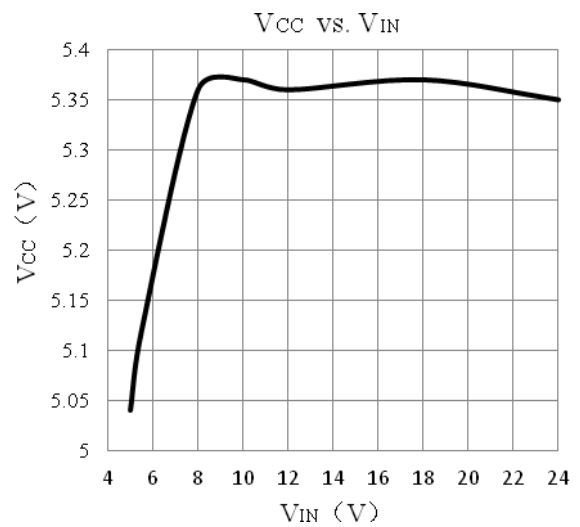
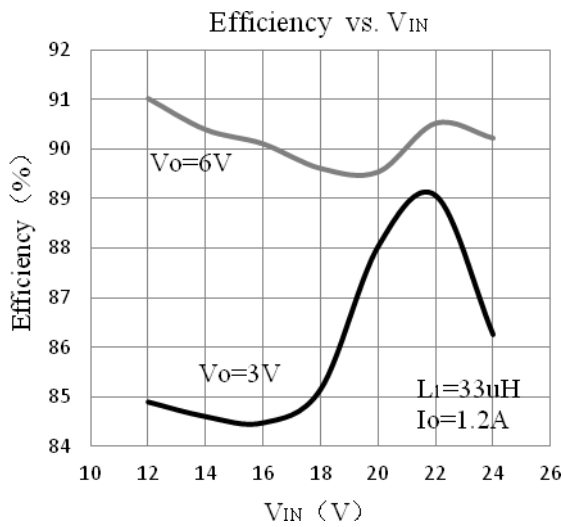
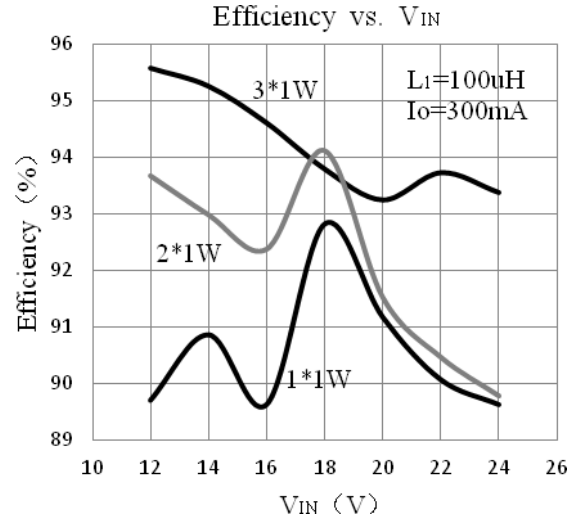
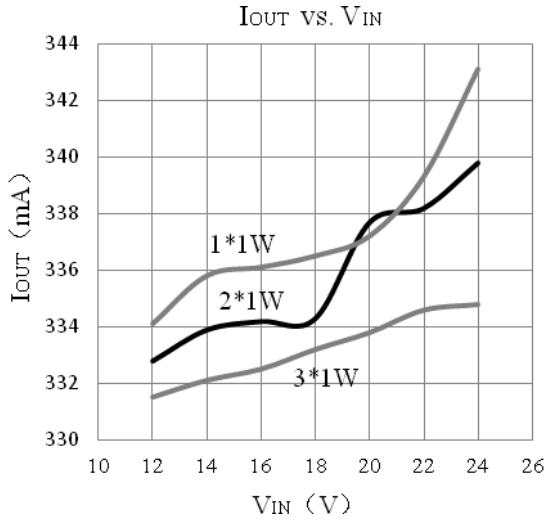
Electronic Characteristics (Continued)

 $V_{IN}=15V$, $C_{CC}=1\mu F$, $C_{DRV}=1nF$, $T_A=25^\circ C$, unless otherwise specified

Parameter	Symbol	Test Conditions	Min	Typ	Max	Unit
Current Sense Comparator						
Sense Voltage High Threshold	V_{CSNH}	$(V_{IN} - V_{CSN})$ rises from 0.1V until DRV pin outputs low level		220		mV
Sense Voltage Low Threshold	V_{CSNL}	$(V_{IN} - V_{CSN})$ falls from 0.3V until DRV pin outputs high level		180		mV
Current Sense Input Current	I_{CSN}			5		μA
Propagation Delay to Output High	T_{DPDH}			80		ns
Propagation Delay to Output Low	T_{DPLD}			80		ns
Dimming Control						
Maximum Dimming Frequency	F_{DIM}				5	KHz
Input High Level	V_{IH}	$V_{IN}=V_{CSN}$, increasing DIM input level until DRV pin outputs high level	2.8			V
Input Low Level	V_{IL}	$V_{IN}=V_{CSN}$, decreasing DIM input level until DRV pin outputs low level			0.6	V
DIM Hysteresis	V_{DIMHYS}			200		mV
DIM Input Current	I_{DIM}	$V_{DIM}=V_{CC}$			5	μA
LDO Characteristic						
Output Voltage	V_{CC}	$V_{IN}=5.5V\sim 36V$, $I_{CC}=0.1mA\sim 5mA$	4.5		5.5	V
Load Regulation		$I_{CC}=0.1mA\sim 5mA$, $V_{IN}=12V$		4		Ω
Linear Regulation		$V_{IN}=6V\sim 36V$, $I_{CC}=5mA$		11		mV
Power Supply Rejection Ratio	PSRR	$V_{IN}=12V$, $I_{CC}=5mA$, $F_{IN}=10KHz$		-35		dB
Startup Time	T_{START}	V_{CC} rises from 0V to 4.5V		350		μs

Typical Electrical Curves

$T_A=25^\circ\text{C}$, unless otherwise specified



Applications Information

Output Current Setting

QX5241 features a programmable LED current adjusted by an external resistor connected between VIN and CSN pins. The equation to calculate the output current is as follows:

$$I_{LED} = \frac{0.22 + 0.18}{2 * R_{CS}} = \frac{0.2}{R_{CS}}$$

Inductor Selection

The inductance value of inductor affects switching frequency, that is, a smaller inductor value leads to a higher switching frequency. The equation to determine the Operating Frequency is as follows:

$$F_{SW} = \frac{(V_{IN} - V_{LED}) * V_{LED}}{0.2 * V_{IN} * I_{LED} * L1}$$

It is strongly recommended that the Operating Frequency is below 1MHz for stabilization and reliability.

Dimming Control

QX5241 allows dimming with a PWM signal at the DIM pin. A logic level below 0.6V at the DIM pin forces the DRV pin to output low level and turn off the LED current. To turn the LED current on, the logic level at the DIM pin must be at least 2.8V. If the dimming function is not wanted, then the DIM pin can be connected to the VCC pin.

It is strongly recommended that the Maximum Dimming Frequency is below 5KHz for the linear consistency of the Dimming Control.

MOSFET Selection

The breakdown voltage of MOSFET should be higher than the Maximum Input Voltage. A MOSFET with small on-resistance helps to improve the efficiency.

Freewheeling Diode Selection

The breakdown voltage of the freewheeling diode D_{SW} should be higher than the maximum input power supply voltage. A freewheeling diode with low forward voltage drop helps to improve the efficiency.

LDO Output

The VCC pin is the output of a 5V regulator on chip, which can supply a maximum current of 5mA.

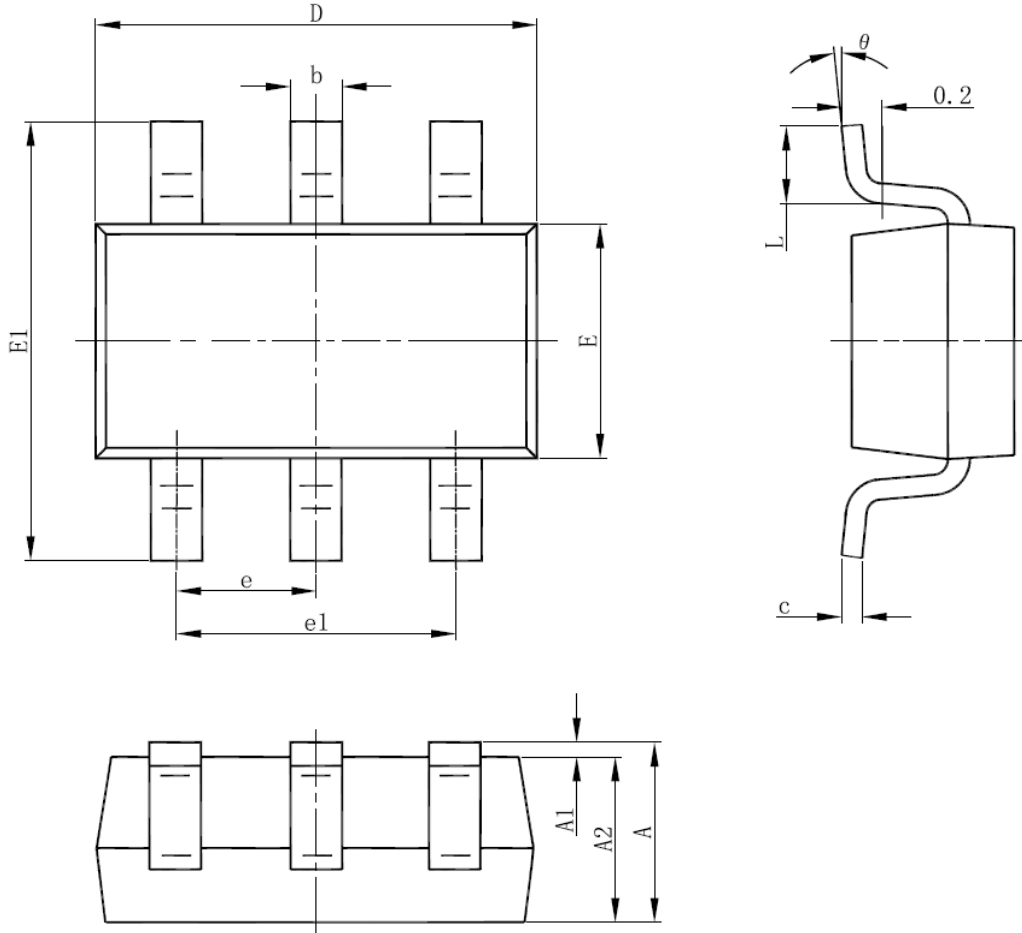
A bypass capacitor must be connected between the VCC pin and the VSS pin, whose capacitance value must be at least 1uF.

Input Capacitor

A bypass capacitor of 47uF to 100uF must be connected between the VIN pin and the VSS pin, whose nominal withstand voltage should be higher than the Maximum Input Voltage.

Package Information

Physical Dimensions for SOT23-6 Package:



Symbol	Dimensions In Millimeters		Dimensions In Inches	
	Min	Max	Min	Max
A	1.050	1.250	0.041	0.049
A1	0.000	0.100	0.000	0.004
A2	1.050	1.150	0.041	0.045
b	0.300	0.500	0.012	0.020
c	0.100	0.200	0.004	0.008
D	2.820	3.020	0.111	0.119
E	1.500	1.700	0.059	0.067
E1	2.650	2.950	0.104	0.116
e	0.950(BSC)		0.037(BSC)	
e1	1.800	2.000	0.071	0.079
L	0.300	0.600	0.012	0.024
θ	0°	8°	0°	8°

Declaration

- QXMD reserves the right to make changes to improve technical design and semiconductor products, and may do so without further notice. Buyers should obtain the latest relevant information before placing orders and should verify that such information is current and complete.
- QXMD is continually working to improve the quality and reliability of its products. Nevertheless, semiconductor devices in general can malfunction or fail due to their inherent electrical sensitivity and vulnerability to physical stress. It is the responsibility of the buyers, when utilizing QXMD products, to comply with the standards of safety in making a safe design for the entire system, and to avoid situations in which a malfunction or failure of such QXMD products could cause loss of human life, bodily injury or damage to property.

In developing your designs, please ensure that QXMD products are used within specified operating ranges as set forth in the most recent QXMD products specifications.

- The QXMD products listed in this document are intended for usage in consumer electronics applications. These QXMD products are neither intended nor warranted for usage in equipment that requires extraordinarily high quality and/or reliability or a malfunction or failure of which may cause loss of human life or bodily injury (“Unintended Usage”). Unintended Usage include atomic energy control instruments, airplane or spaceship instruments, transportation instruments, traffic signal instruments, combustion control instruments, medical instruments, all types of safety devices, etc.. Unintended Usage of QXMD products listed in this document shall be made at the customer’s own risk.
- The information contained herein is presented only as a guide for the applications of our products. QXMD cannot assume responsibility for use of any circuitry other than circuitry entirely embodied in a QXMD product. No circuit patent licenses are implied.

Customer Service Center

QX Micro Devices Co., Ltd.

Add: 4th Floor, Building 22, Zhiheng Hi-Tech Park, Nantou Guangkou 2nd Road, Nanshan, Shenzhen, Guangdong, China

ZIP Code: 518052

Tel: +86-0755-88852177

Fax: +86-0755-86350858

Web Site: www.qxmd.com.cn